

Mechanical Compact SPST



100 SERIES

- Switch adjustment ranges from vacuum through 6,000 psi depending on model
- 100V: Standard Brass with NBR diaphragm wetted parts, 100L: Standard Brass with Polyimide diaphragm wetted parts, 100H: Standard Zinc-nickel with NBR diaphragm wetted parts
- SPST creep action switch with Silver-plated contacts
- RoHS compliant

APPLICATIONS

- Hydraulics & pneumatics
- Pumps & compressors
- Tank monitoring
- Leak detection
- Water management

SPECIFICATIONS

Switching parameters	
Function	SPST N.O. or N.C. contact
Contact rating	100 VA Max Voltage 42 Vdc
Repeatability	See Chart on page 107
Hysteresis	<10% of setpoint
Contact material	Silver-plated, optional gold-plated
Frequency	Max. 60 cycles/min
Switch type	
Switch type	Creep action
Pressure ranges	
Pressure ranges	Vacuum through 6,000 psig
Service life	
Service life	>1,000,000 load cycles
Temperature ranges	
Temperature ranges	Media -13 °F to 185 °F (-25 °C to 85 °C) Ambient -13 °F to 185 °F (-25 °C to 85 °C) Storage -13 °F to 185 °F (-25 °C to 85 °C)
Proof pressure	
Proof pressure	100V: 350 psi 100L: 500 psi 100H: 9,000 psi
Measuring element	
Measuring element	100V: Brass, NBR diaphragm 100L: Brass, Polyimide diaphragm 100H: Zinc-nickel plated Steel, NBR diaphragm
Housing material	
Housing material	100V & 100L: Brass, optional Stainless Steel 100H: Plated Steel, optional Stainless Steel
Environmental rating	
Environmental rating	IP00 - Exposed Terminals IP69 - Flying Leads & Deutsch Integral
Weight	
Weight	Approximately 0.2 lb.

ORDERING INFORMATION			
SERIES	100V 100 Vacuum Series 100L 100 Low Pressure Series	100H 100 High Pressure Series	
SWITCH FUNCTIONS	1 SPST, Normally open	2 SPST, Normally closed	
PROCESS CONNECTION	1 1/8" NPT male 2 1/4" NPT male 10 G 1/4B	31 9/16-18 SAE Male, Non-Adjustable 33 G 1/8B 45 7/16-20 SAE Male, Non-Adjustable	
100V VACUUM PRESSURE SWITCH ADJUSTMENT RANGES (Max. working pressure)	3/25-vac -3 inHg to -25 inHg (350 psig)		
100L LOW PRESSURE SWITCH ADJUSTMENT RANGES (Max. working pressure)	2/20 2 psig to 20 psig (350 psig) 15/100 15 psig to 100 psig (350 psig)	50/150 50 psig to 150 psig (350 psig)	
100H HIGH PRESSURE SWITCH ADJUSTMENT RANGES (Max. working pressure)	2/30 2 psig to 30 psig (9,000 psig) 15/200 15 psig to 200 psig (9,000 psig) 125/600 125 psig to 600 psig (9,000 psig)	300/2500 300 psig to 2,500 psig (9,000 psig) 500/3500 500 psig to 3,500 psig (9,000 psig) 3000/6000 3,000 psig to 6,000 psig (9,000 psig)	
ELECTRICAL CONNECTIONS†	4 Spade Terminals (1/4 x 1/32) 66 Deutsch Integral 2-Pin (DT04-2P) 77 18" Flying Leads 78 6-32 Terminal Screws 96 Weatherpack Tower, 2-Pin Female*	97 Weatherpack Tower, 2-Pin Male* 98 Weatherpack Shroud, 2-Pin Female* 99 Weatherpack Shroud, 2-Pin Male* 100 Deutsch 2-Pin Male (DT04-2P)* 103 Deutsch 2-Pin Female Socket (DT06-2S)*	
OPTIONS**	AU Gold Plated Contacts EP EPDM Diaphragm (-10/250 °F) HNBR Low Temp Nitrile Diaphragm (-40/110 °F)	SP Factory Adjusted Switch Point SS 316 SS Wetted Materials VT FKM Diaphragm (0/250 °F)	

Please consult your local NOSHOK Distributor or NOSHOK, Inc. for availability and delivery information.

* Options attached to Flying Leads

** Not all options are available for all ranges, consult factory

† Other electrical connections available, consult factory

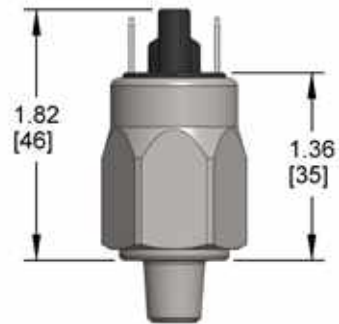
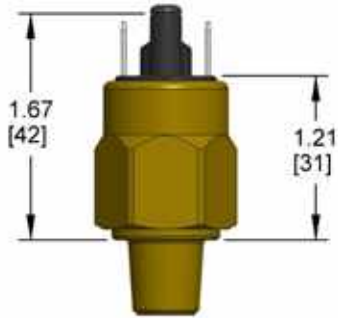
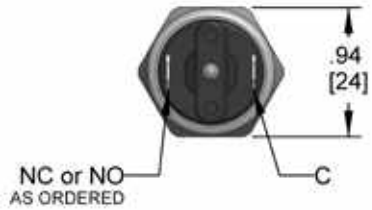
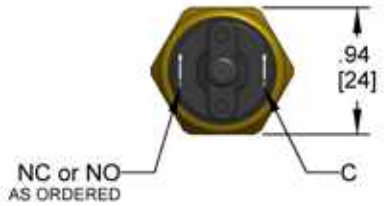
EXAMPLE

	100H - 2 - 1 - 2/30 - 4 - AU
Series	100 High Pressure Series
Switch function	SPST, normally closed
Process connection	1/8" NPT Male
Switch adjustment range	2 psig to 30 psig (9,000 psig)
Electrical connection	Spade Terminals (1/4 x 1/32)
Option	Gold plated contacts

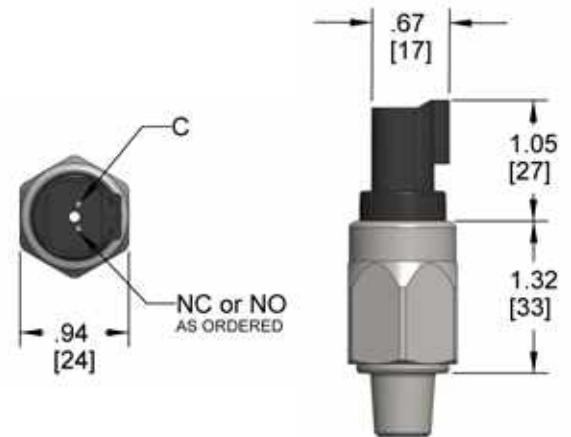
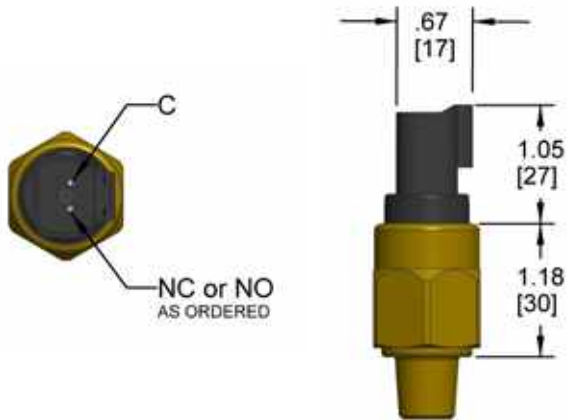
Series	Range	Repeatability
100V	3 - 25 inHg	1 psi or 5% of setpoint
100L	2 - 20 15 - 100 50 - 150	3% of full setpoint range
100H	2 - 30 15 - 200 125 - 600 300 - 2,500 500 - 3,500 3,000 - 6,000	3% of full setpoint range

Dimensions

100V & 100L Spade Terminals **100H Spade Terminals**



100V & 100L Deutsch 2-Pin **100H Deutsch 2-Pin**



100V & 100L 18" Flying Leads **100H 18" Flying Leads**

