

Service Parts & Dimensions – 1040-1.10

Effective: June 2002 (replaces Feb, 1998)

780 SafeGard Purge Control

Part Number Reference:

780 - 98 - 8

Adjustable Pressure Limit:
 6 - range 25" to 650"
 7 - range 650" to 1,750"
 8 - not applicable

Fittings:
 1 - none
 3 - Polyflo
 4 - Hi Duty

Model 780 Purge Control

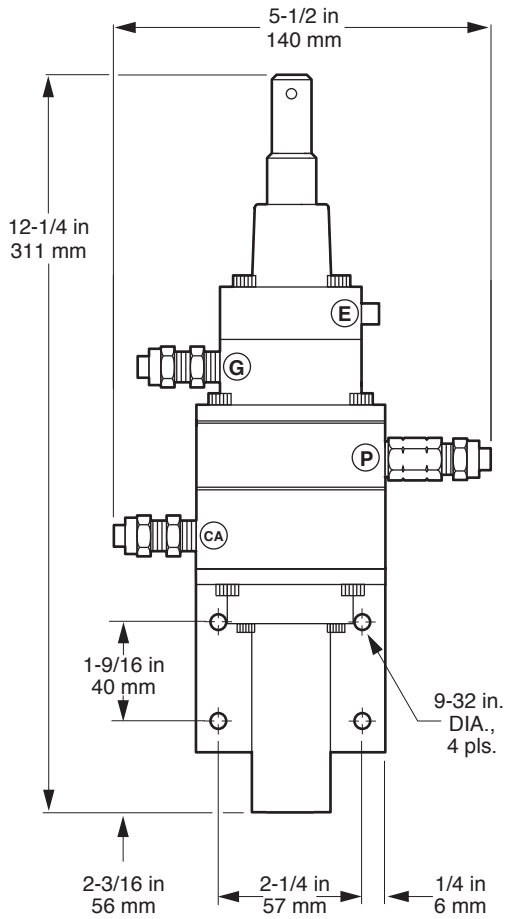
Part Number Reference:

780 - 98 - 88

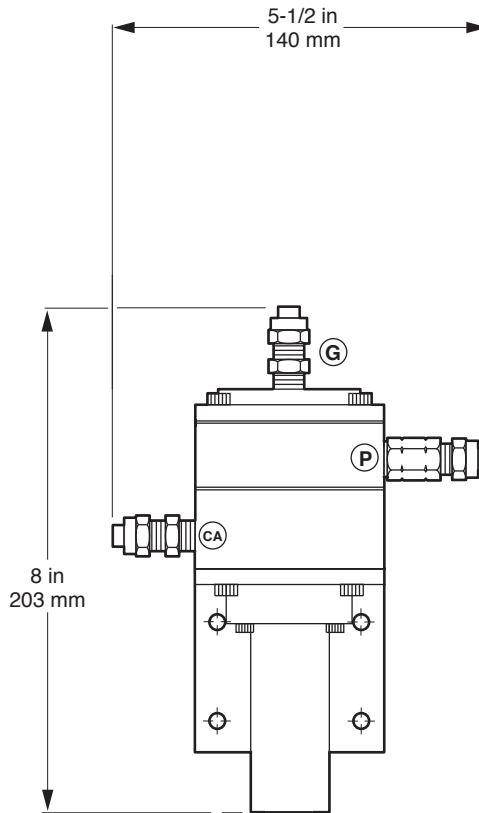
Fittings:
 1 - none
 3 - Polyflo
 4 - Hi Duty

Fitting Reference:

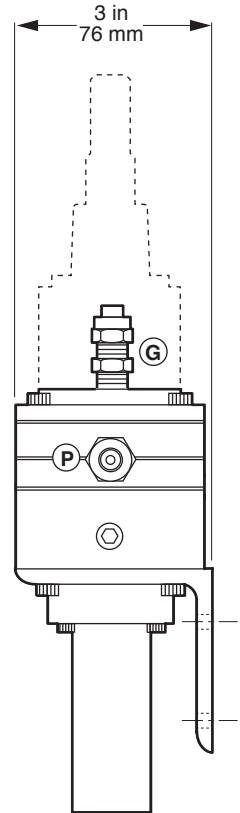
P..... Air Purge
 G..... Pneumatic Output
 CA..... Compressed Air
 E..... Equalizer Reference



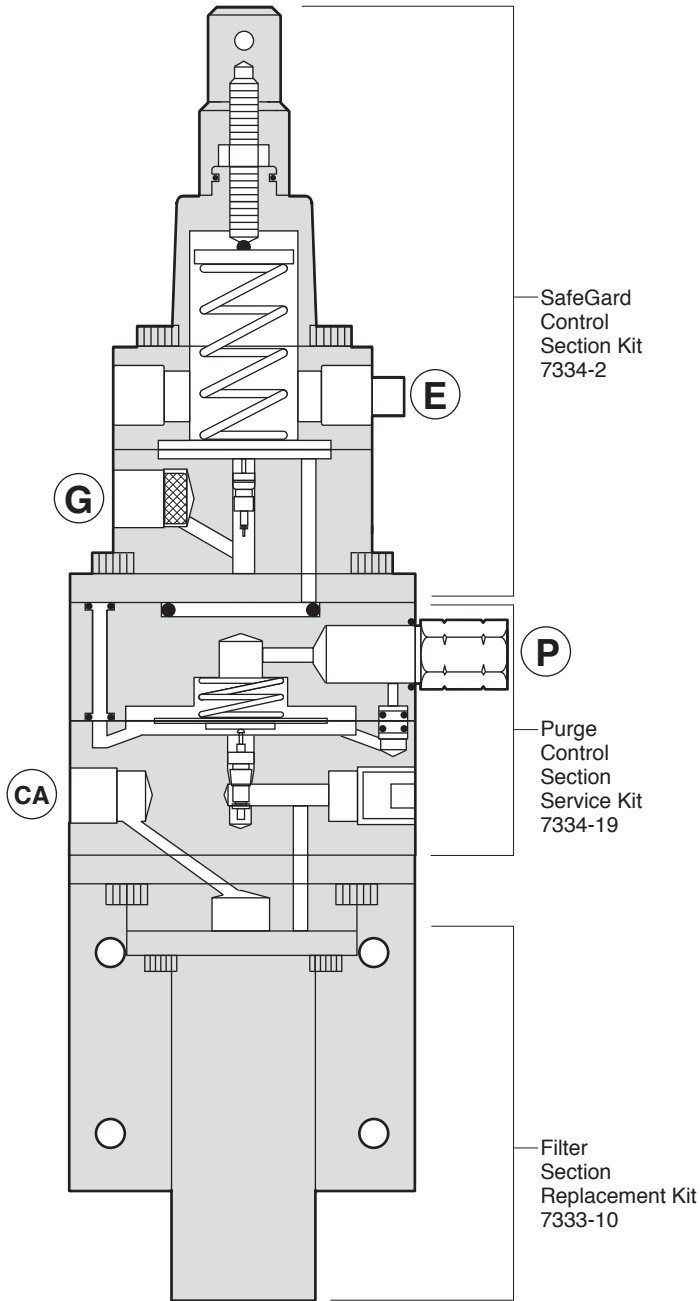
Front View
w/ SafeGard



Front View
w/o SafeGard



Right Side View



SafeGard Section Service Kit 7334-2

Description	Part No.	Qty.
Replacement Valve Kit.....	3257-10	1
Diaphragm.....	4506-3	1
O-Ring (large).....	6495-407	1
Diaphragm Assy.....	4508-5	1
O-Ring (small).....	6495-559	1

Purge Control Section Service Kit 7334-19

Description	Part No.	Qty.
Replacement Valve Kit.....	3257-1	1
Orifice Assembly.....	4527-2	1
Diaphragm Assembly.....	4508-6	1
Spring (long).....	6927-7	1
O-Ring.....	6495-559	2
Guide Rods.....	3022-1	2

Filter Section Replacement Kit 7333-10

Description	Part No.	Qty.
Control Filter.....	7333-1	1
Long Arm Hex Key.....	7489-1	1
Control Filter Kit.....	5222-1	1
Filter Kit: O-Ring.....	6495-226	1
Filter Kit: O-Ring.....	6495-5	1
Filter Kit: Screws.....	3028s-5	4