

Differential Pressure Sensor Control



868 SERIES

- 4 mA to 20 mA output for broad compatibility
- Better than $\pm 0.02\%$ span repeatability
- Piezoresistive technology for enhanced stability
- Also offered in hybrid versions combined with an air flow control for pneumatic sensors or downpipe (bubbler) systems

APPLICATIONS

- Tank level indication
- Marine
 - Tank level, draft monitoring and vessel management
 - Ballast water
 - Fuel oil
 - Fresh water
 - Lube oil
 - Brine
 - Preload
 - Holding

SPECIFICATIONS

Output signal	4 mAdc to 20 mAdc (milliamperes)
Accuracy	$\pm 0.2\%$ FS ($\pm 0.10\%$ F.S., typical) includes non-linearity, hysteresis and non-repeatability
Repeatability	$\pm 0.02\%$ of calibrated span
Temperature range	0 °F to 180 °F / -18 °C to 82 °C (operating range)
Compensated temperature range	32 °F to 120 °F / 0 °C to 54 °C
Thermal effects (over compensated temperature range)	Less than .007% °F (.011% °C) span shift—sensitivity Less than .007% °F (.011% °C) span shift—zero
Power requirement*	14 Vdc to 40 Vdc
Power supply stability (effect on FSO)	Less than .005% of span change in output per volt change at input terminals
Burst pressure	200 psi
Combined accuracy**	0–5 psid trans./control $\pm 0.34\%$ full scale 0–10 psid trans./control $\pm 0.27\%$ full scale 0–15 psid trans./control $\pm 0.24\%$ full scale 0–30 psid trans./control $\pm 0.22\%$ full scale 0–50 psid trans./control $\pm 0.21\%$ full scale
Compressed air requirement	35 psid to 150 psig supply pressure at control inlet
Maximum depth measurement	1,937 inH ₂ O (49.0 m water)

* Unregulated

** Combined accuracy refers to the primary accuracy of the sensor in combination with the secondary accuracy of the D/P transmitter.



ORDERING INFORMATION			
SERIES	868 D/P Sensor Control (Air Flow Control)		
FITTINGS	19 None, 1/4" NPT	39 Polyflo; (4) 1/4" tube	49 Swagelok; (4) 1/4" tube (compatible with copper or poly tubing)
MILLIAMP OUTPUTS	108 4 mAdc to 20 mAdc 0-5 psid	128 4 mAdc to 20 mAdc 0-15 psid	148 4 mAdc to 20 mAdc 0-50 psid
	118 4 mAdc to 20 mAdc 0-10 psid	138 4 mAdc to 20 mAdc 0-30 psid	168 4 mAdc to 20 mAdc 0-2 psid

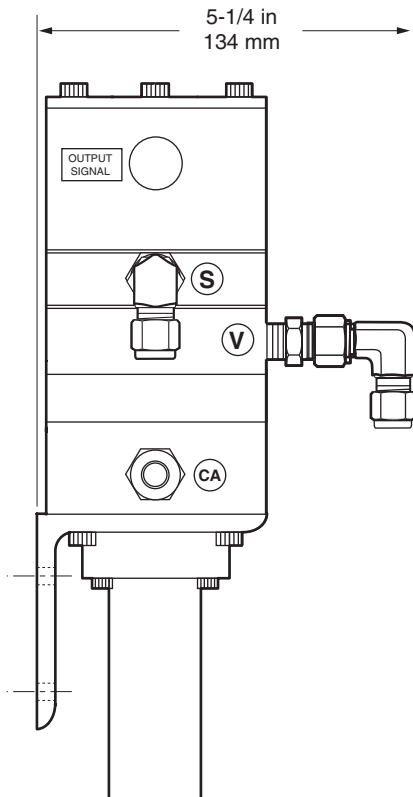
NOTE: Unit includes (1) water-resistant Hubbell cord grip.

EXAMPLE

Series 868 Series
 Fitting None, 1/4" NPT
 Milliamp output 4 mAdc to 20 mAdc 0-10 psid

868 - 19 - 118

Left Side View



Front View

