

ABS & Stainless Steel Case, Liquid Filled



900 SERIES

- High quality liquid filled gauge
- Vacuum and compound ranges through 0 psi to 15,000 psi
- 1-1/2", 2", 2-1/2" and 4" gauge sizes
- Impact-resistant ABS and Stainless Steel case
- Copper alloy and Brass wetted parts

OPERATING SPECIFICATIONS

1. Working Pressure Limitations

a. Dynamic Pressure

The working pressure should be limited to 60% of the dial range.

b. Static Pressure

The working pressure, where no sharp fluctuations occur, should be limited to 90% of the dial range

APPLICATIONS

- Automotive
- Construction
- Hydraulics & pneumatics
- Power generation
- Transportation
- Water management

For details on accuracy/standard dial configuration and dial layouts, see pages 56-61.

	SERIES	SPECIFICATIONS
Pressure ranges	900 Series (all)	Vacuum and compound ranges through 0 psi to 15,000 psi***
Accuracy	15-901, 15-910, 15-911	±2.5% full scale
	20-901, 20-911, 25-900, 25-910, 25-901, 25-911	±1.6% full scale
	40-901, 40-911	±1% full scale
Temperature ranges*	900 Series (all)	Media -4 °F to 140 °F (-20 °C to 60 °C) Glycerin fill -40 °F to 140 °F (-40 °C to 60 °C) Special fill Ambient -4 °F to 140 °F (-20 °C to 60 °C) Glycerin fill -40 °F to 140 °F (-40 °C to 60 °C) Special fill
Measuring element	900 Series (up to 600 psi)	Copper alloy C-Type Bourdon tube
	900 Series (> 600 psi)	Coiled safety tube
Connection	15-910, 15-901, 15-911	1/8" NPT, Brass
	20-901, 20-911, 25-900, 25-910, 25-901, 25-911	1/4" NPT or 7/16"-20 adjustable, Brass
	40-901, 40-911	1/4" NPT, Brass 1/2" NPT, Brass
Case	15-910, 25-900, 25-910	ABS with safety relief plug
	15-901, 15-911, 20-901, 20-911, 25-901, 25-911, 40-901, 40-911	304 Stainless Steel
Bezel	15-901, 15-911, 20-901, 20-911, 25-901, 25-911, 40-901, 40-911	304 Stainless Steel
Lens	15-910, 25-900, 25-910	Acrylic; ultrasonically welded to the case
	15-901, 15-911, 20-901, 20-911, 25-901, 25-911, 40-901	Polycarbonate
Pointer	15-901, 15-910, 15-911, 20-901, 20-911, 25-900, 25-910, 25-901, 25-911	Molded plastic
	40-901, 40-911	Balanced Aluminum, black finish
Dial	15-901, 15-910, 15-911, 20-901, 20-911, 25-900, 25-910, 25-901, 25-911	Molded plastic, white background with black primary scale & red secondary scale. UV resistant
	40-901, 40-911	Aluminum, white background with black primary scale & red secondary scale. UV resistant.
Movement	15-901, 15-910, 15-911, 20-901, 20-911, 25-900, 25-910, 25-901, 25-911	Brass and nylon with highly polished bearing surfaces
Fill liquid**	15-910	86.5/13.5 Glycerin:H ₂ O
	15-901, 15-911, 20-901, 20-911, 25-900, 25-910, 25-901, 25-911, 40-901, 40-911	Glycerin

* For every 18 °F (10 °C) shift in temperature from which the gauge is calibrated, the user can experience up to ±0.4% additional error.

** See page 51 for gauge fill options.

*** See Ordering Information.

WARNING: This product can expose you to chemicals including Lead and Nickel, which are known to the State of California to cause cancer and birth defects or other reproductive harm. For more information go to www.P65Warnings.ca.gov

ORDERING INFORMATION															
GAUGE SIZES	15	1-1/2" (6,000 psi max)			20	2" (10,000 psi max)			25	2-1/2"		40	4"		
CASE TYPES	900	ABS Case, bottom connection						910	ABS Case, back connection						
	901	SS Case, bottom connection						911	SS Case, back connection						
PRESSURE RANGES	30vac	-30 inHg to 0 psi			100	0 psi to 100 psi			5000	0 psi to 5,000 psi			10	0 bar to 10 bar ^{††}	
	30/15	-30 inHg to 0 to 15 psi			160	0 psi to 160 psi			6000	0 psi to 6,000 psi			16	0 bar to 16 bar ^{††}	
	30/30	-30 inHg to 0 to 30 psi			200	0 psi to 200 psi			7500	0 psi to 7,500 psi			25	0 bar to 25 bar ^{††}	
	30/60	-30 inHg to 0 to 60 psi			300	0 psi to 300 psi			10000	0 psi to 10,000 psi			40	0 bar to 40 bar ^{††}	
	30/100	-30 inHg to 0 to 100 psi			400	0 psi to 400 psi			15000	0 psi to 15,000 psi			60	0 bar to 60 bar ^{††}	
	30/160	-30 inHg to 0 to 160 psi			600	0 psi to 600 psi			-1	-1 bar to 0 bar ^{††}			100	0 bar to 100 bar ^{††}	
	30/200	-30 inHg to 0 to 200 psi			800	0 psi to 800 psi			1	0 bar to 1 bar ^{††}			160	0 bar to 160 bar ^{††}	
	30/300	-30 inHg to 0 to 300 psi			1000	0 psi to 1,000 psi			1.6	0 bar to 1.6 bar ^{††}			250	0 bar to 250 bar ^{††}	
	15	0 psi to 15 psi			1500	0 psi to 1,500 psi			2.5	0 bar to 2.5 bar ^{††}			400	0 bar to 400 bar ^{††}	
	30	0 psi to 30 psi			2000	0 psi to 2,000 psi			4	0 bar to 4 bar ^{††}			600	0 bar to 600 bar ^{††}	
	60	0 psi to 60 psi			3000	0 psi to 3,000 psi			6	0 bar to 6 bar ^{††}			1000	0 bar to 1,000 bar ^{††}	
SCALE OPTIONS	psi	psi single scale			psi/kg/cm²	psi/kg/cm ² dual scale			bar/psi	bar/psi dual scale			psi/kPa	psi/kPa dual scale	
	psi/bar	psi/bar dual scale													
CONNECTION SIZES	1/8	1/8" NPT			1/4	1/4" NPT			1/2	1/2" NPT			SST	SAE J1926-3:7/16-20 Adjustable *	
OPTIONS	PMC	Steel Panel Mount Clamp			SSCR	304SS Cover Ring			BLFF	Black Front Flange***			ST	Stainless Steel Tagging	
	SPMC	304SS Panel Mount Clamp			MIP	Maximum Indicating Pointer**			SSFF	304SS Front Flange†			BP3	Brass Press Fit Orifice 0.3 mm	
	SSBU	Integral Stainless Steel Bezel & U-clamp			SP	Red Set Pointer			SSRF	304SS Rear Flange			BT5	Brass Threaded Orifice 0.5 mm	
	SSB	Stainless Steel Bezel			SG	Safety Glass Lens			LM	Laser Marking			BT8	Brass Threaded Orifice 0.8 mm	

Please consult your local NOSHOK Distributor or NOSHOK, Inc. for availability and delivery information.

NOTES: Refer to 900 Series Options & Accessories chart on page 53 for availability by series number.

Cleaning for Oxygen Service (O2) is available only for dry or HL filled gauges

* Includes FKM o-ring

** GY40 fill is standard for liquid filled gauges

*** Black Front Flange is only available for 25-910 gauges

† Stainless Steel Front Flange is not available for the 901 case type and all 1-1/2" gauges

†† Standard with G1/4 process connection

EXAMPLE

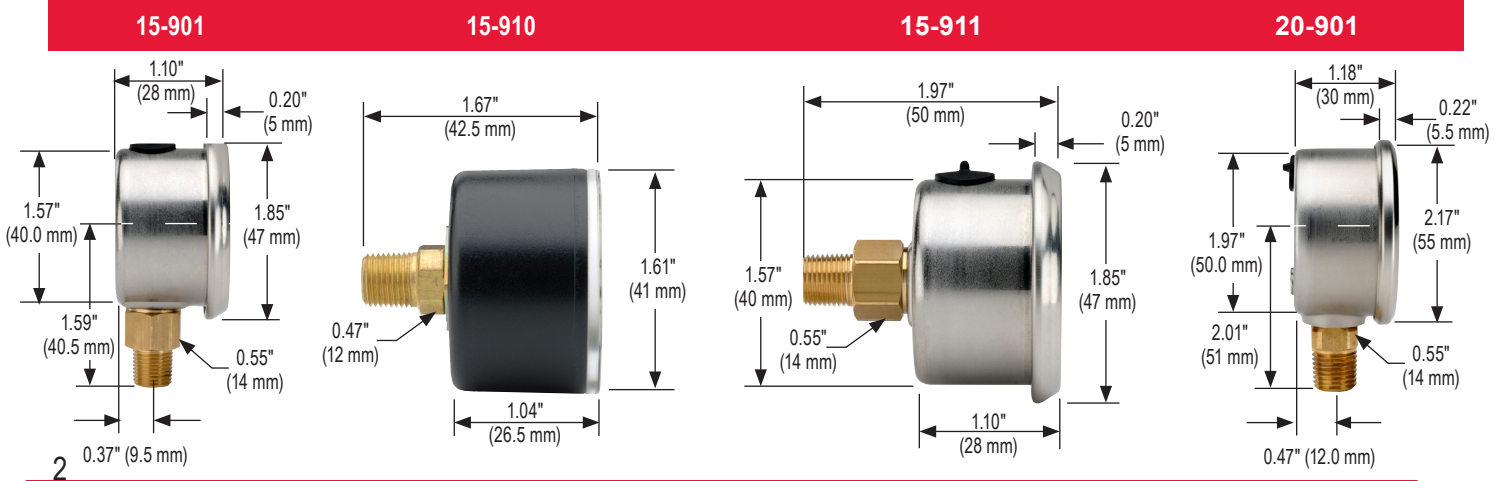
25 - 910 - 1000 - psi /kPa - 1/8^{†††} - PMC

Gauge size 2-1/2"
 Case type ABS case, liquid filled, back connection
 Pressure range & scale option 0 psi to 1,000 psi/kPa
 Connection size 1/8" NPT
 Option Panel Mount Clamp

††† Only include in part number if non-standard connection size is ordered.

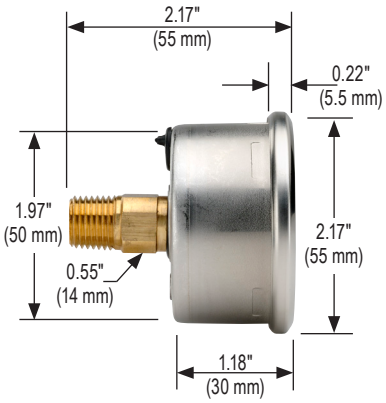
NOTES: See standard connection sizes chart on page 49.

Shaded portions of this part number example are not required unless a non-standard connection size or an option is needed.

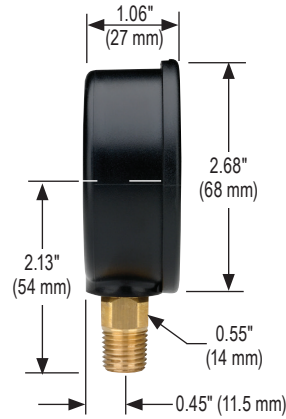


Dimensions

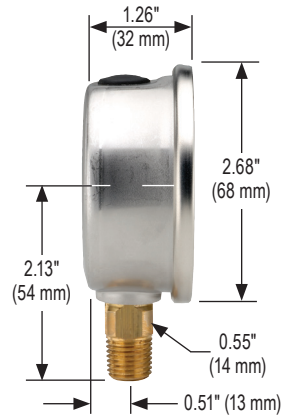
20-911



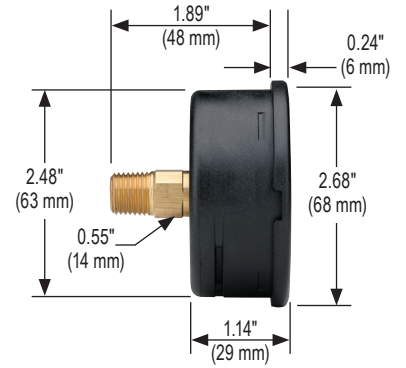
25-900



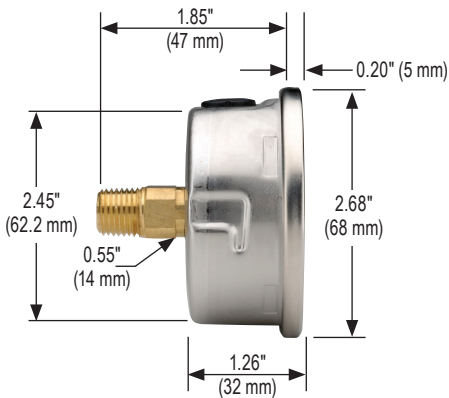
25-901



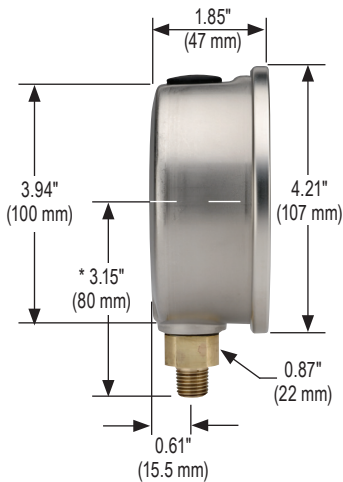
25-910



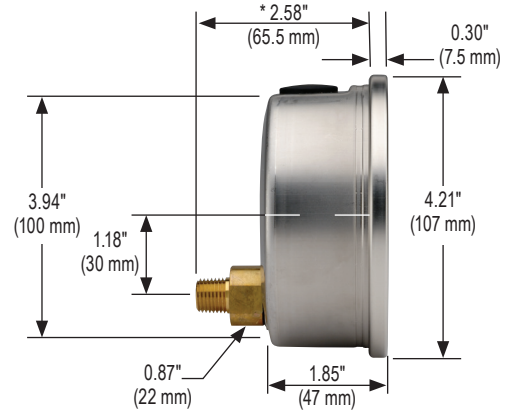
25-911



40-901

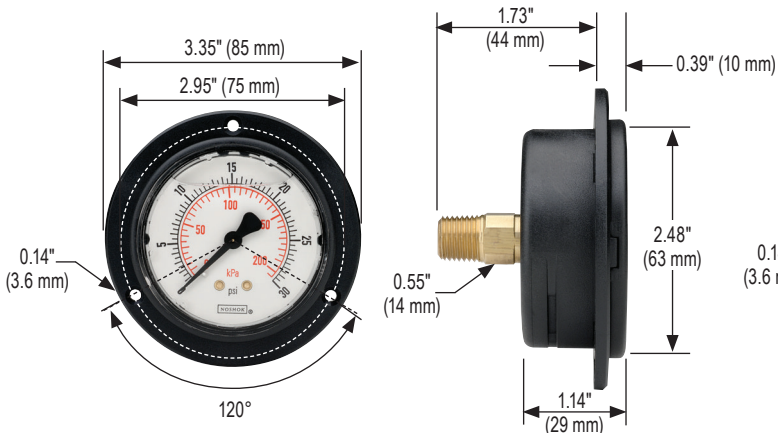


40-911

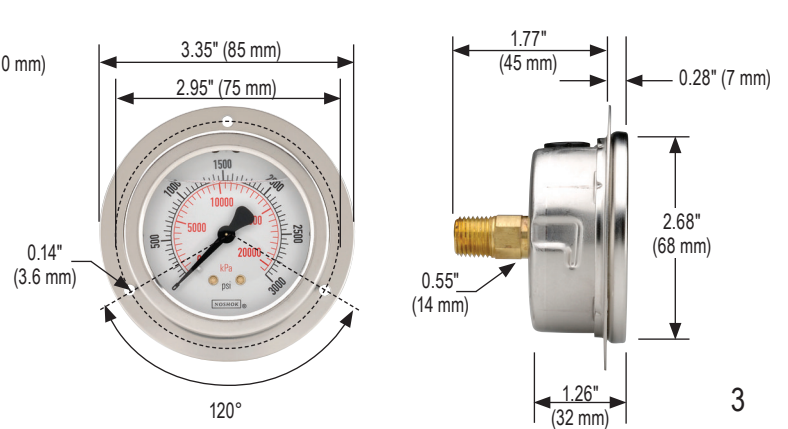


* 1/4" NPT shown
Add 6 mm for 1/2" NPT

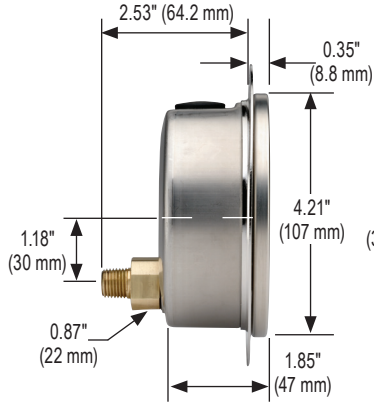
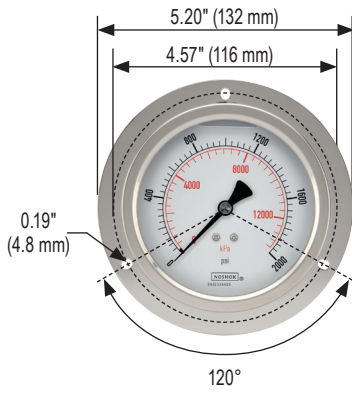
25-910 Front Flange



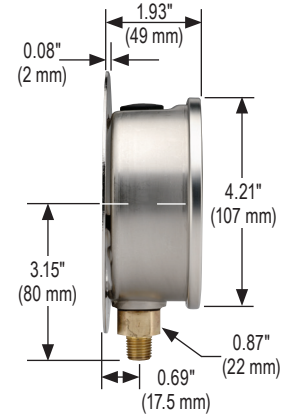
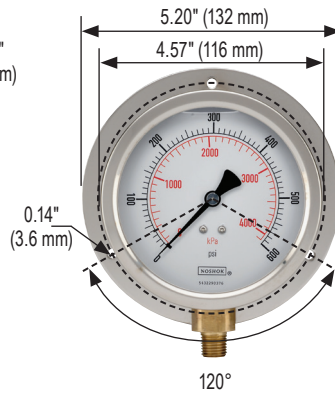
25-911 Front Flange



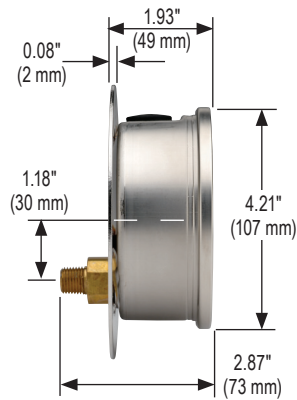
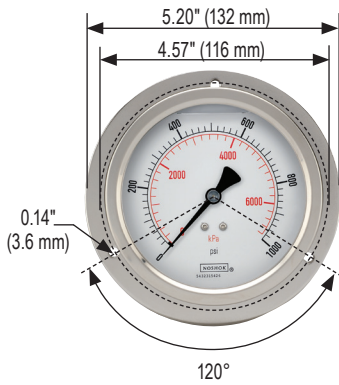
40-911 Front Flange



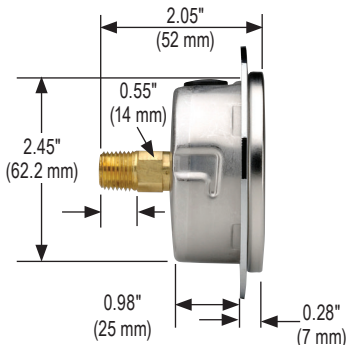
40-901 Rear Flange



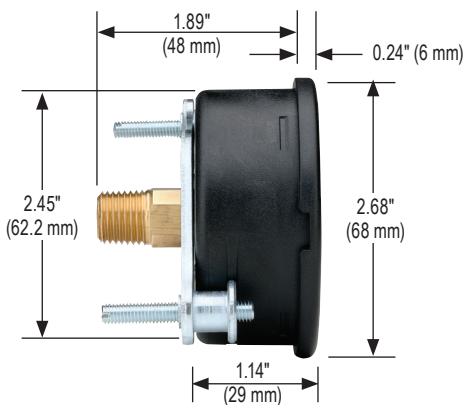
40-911 Rear Flange



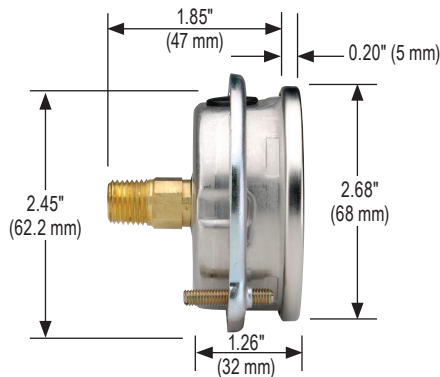
25-911 Flange Ring



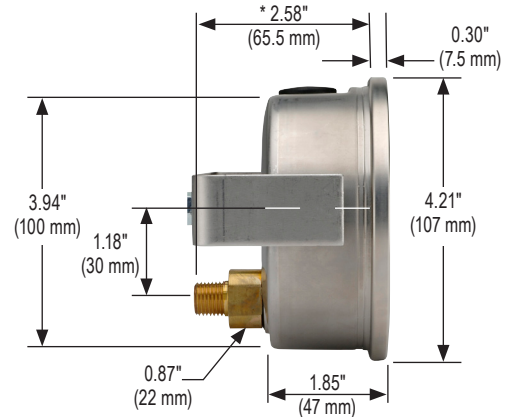
25-910 Panel Mount Clamp



25-911 Panel Mount Clamp



40-911 SS Narrow Bezel w/U-Clamp



* 1/4" NPT shown. Add 6 mm for 1/2" NPT.